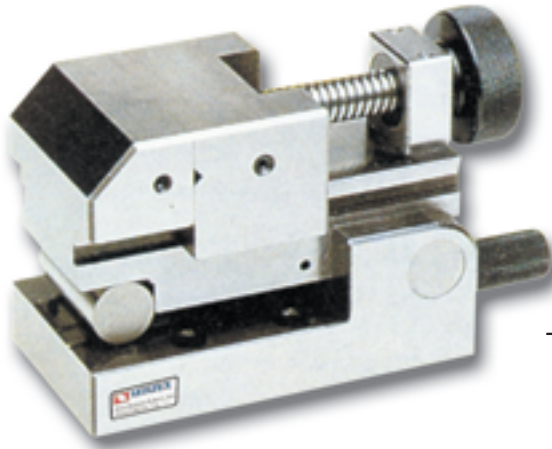


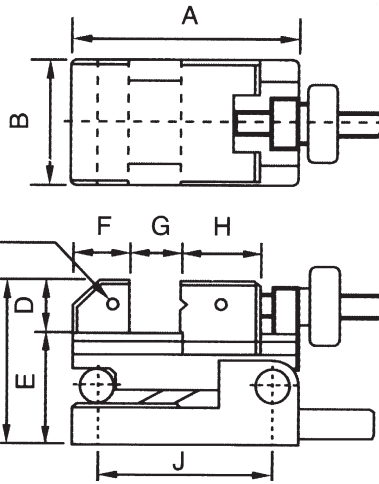


# Precision Sine Vise

HARDNESS HRC 60°,SKS3  
PARALLELISM 0.003/100mm  
SQUARENESS 0.005/100mm



THE CLAMP HANDLE IS PLACED  
LI/NDER WORKPIELE.



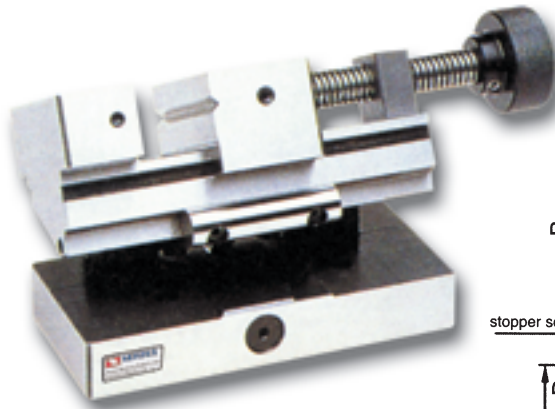
ORDER NO. SVC-100

Size(mm)	MODEL	SVC-100
A		130
B		70
C		93
D		30
E		63
F		33
G		45
H		M6
I		100
Max.angle		46°
Weight(kg)		4.5
CODE NO.		2003-090

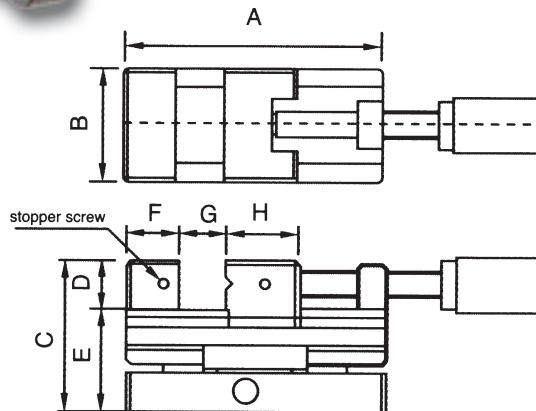


# Precision Sine Vise

HARDNESS HRC 60°,SKS3  
PARALLELISM 0.003/100mm  
SQUARENESS 0.005/100mm



HORIZONTAL WAY



ORDER NO. SVL-50

Size(mm)	MODEL	SVL-50
A		160
B		75
C		93
D		30
E		63
F		33
G		70
H		45
I		M6
Max.angle		46°
Weight(kg)		5.3
CODE NO.		2003-100

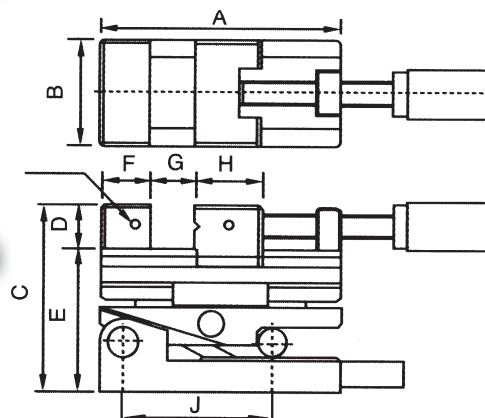


# Two Way Vise

HARDNESS HRC 60°,SKS3  
PARALLELISM 0.003/100mm  
SQUARENESS 0.005/100mm



2 WAYS



ORDER NO. SVS-100

Size(mm)	MODEL	SVS-100
A		160
B		75
C		124
D		30
E		94
F		33
G		75
H		45
I		M6
Max.angle		46°
Weight(kg)		7.4
CODE NO.		2003-110