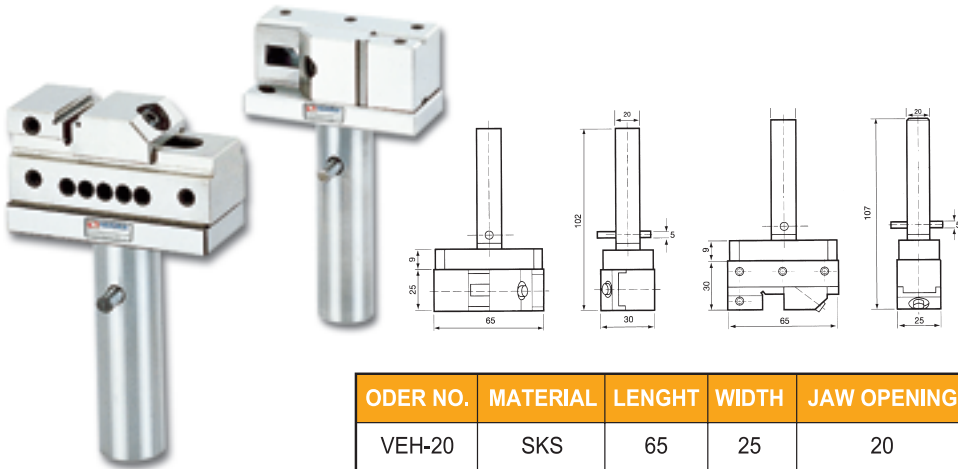




# Electrode Vise (ALLOY STEEL) FOR EDM

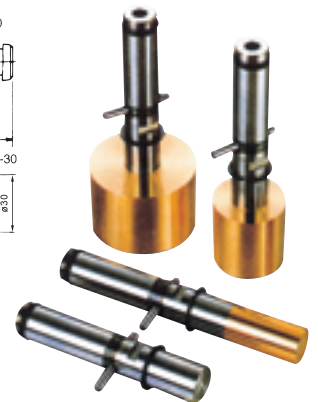
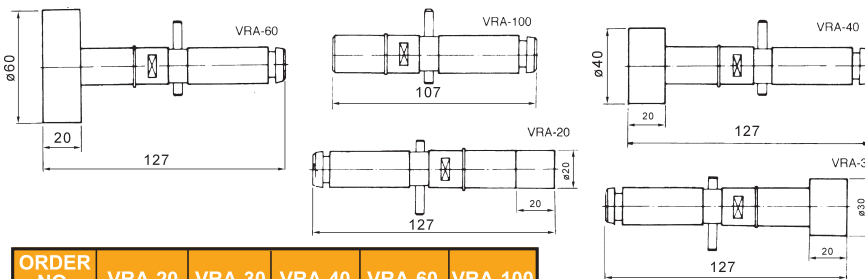


**ORDER NO. VEH-20**  
ELECTROE HOLDERS FOR  
ELECTRO DISCHARGE MACHINE  
Mini vise can be used in fixed  
electrode hold-ers.  
The opening with a cross V groove  
on the vise can do electric discharging  
both by vertical way and horizontal  
way for various-shape workieces.  
The max. opening on the vise is  
20mm.

ORDER NO.	MATERIAL	LENGHT	WIDTH	JAW OPENING	JAW HEIGHT	HARDEN	N.W.	CODE NO.
VEH-20	SKS	65	25	20	10	HRC 58°-60°	0.8kg	2008-001



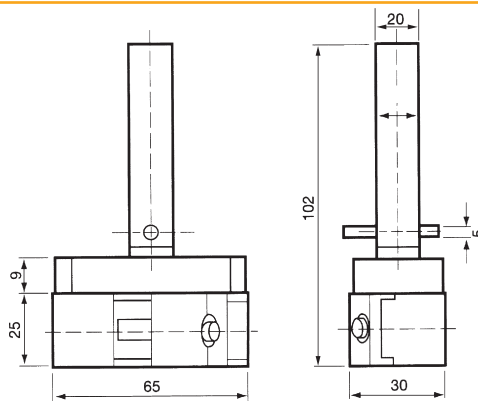
# Electrode Holder FOR EDM



ORDER NO.	VRA-20	VRA-30	VRA-40	VRA-60	VRA-100
CODE NO.	2008-010	2008-011	2008-012	2008-013	2008-014
WEIGHT	0.2	0.3	0.45	0.55	0.25



# Electrode Holders (STAINLESS) FOR EDM



**ORDER NO. VEH-20MS**  
**CODE NO. 2008-020**  
WEIGHT : 0.8 kg

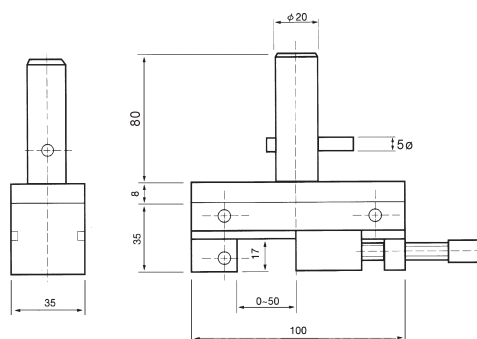
Material	SUS440
Paralleism	within 0.003mm/100mm
Squareness	within 0.005mm/100mm
Harden treatment up to HRC58°	



# Electrode Holders (STAINLESS) FOR EDM



NEW



**ORDER NO. VEH-20DS**  
**CODE NO. 2008-030**  
WEIGHT : 1.2 kg

Material	SUS440
Paralleism	within 0.003mm/100mm
Squareness	within 0.005mm/100mm
Harden treatment up to HRC58°	