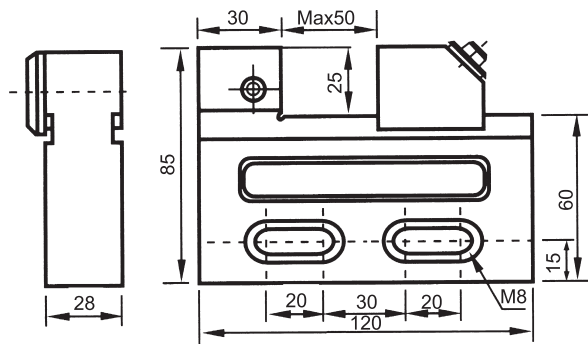




EDW Tool Maker Vice (stainless)



This vise is for wire cutter use. Each of the parts was manufactured by stainless steel and with the appliance of high erosion resisting.

Material: SUS440
Hardness: HRC 58°-60°
Squareness: With 0.005m/m
N.W.: 1.4kg

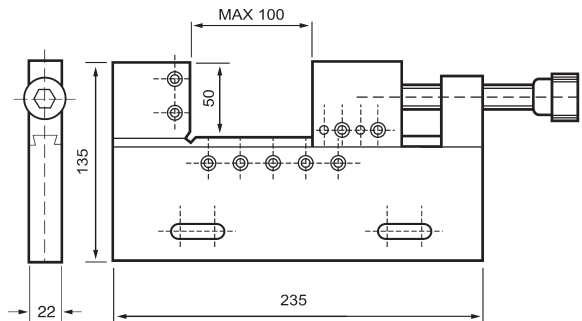
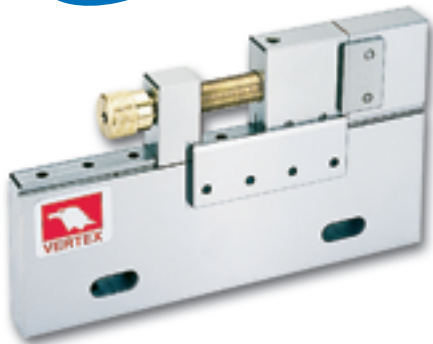
ORDER NO. VSTV-50W
CODE NO. 2008-040

PARALLELISM	± 0.002mm
SQUARNESS	± 0.002mm

MAX. OPENING	50mm
THICKNESS	28mm
JAW DEEP	25mm
WEIGHT	1.4kg
MATERIAL	
HARDNESS	HRC58°



EDW Tool Maker Vice (stainless)



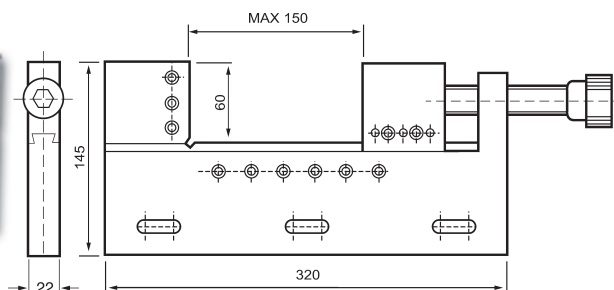
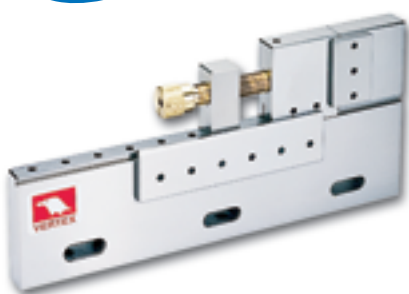
ORDER NO. VSTV-100W
CODE NO. 2008-050

PARALLELISM	± 0.002mm
SQUARNESS	± 0.002mm

MAX. OPENING	100mm
THICKNESS	22mm
JAW DEEP	45mm
WEIGHT	4.4kg
MATERIAL	
HARDNESS	HRC58°



EDW Tool Maker Vice (stainless)



ORDER NO. VSTV-150W
CODE NO. 2008-060

PARALLELISIT	± 0.002mm
SQUARNESS	± 0.002mm

MAX. OPENING	150mm
THICKNESS	22mm
JAW DEEP	50mm
WEIGHT	6.0kg
MATERIAL	
HARDNESS	HRC58°