

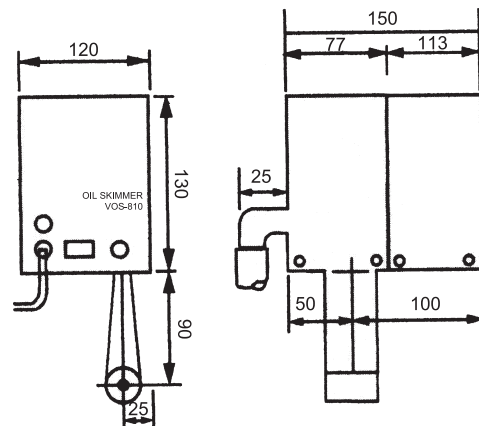
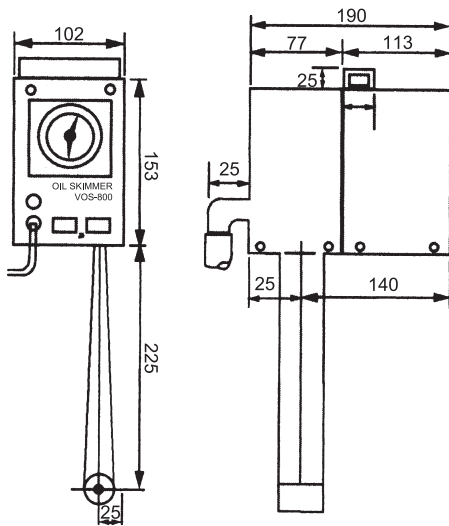
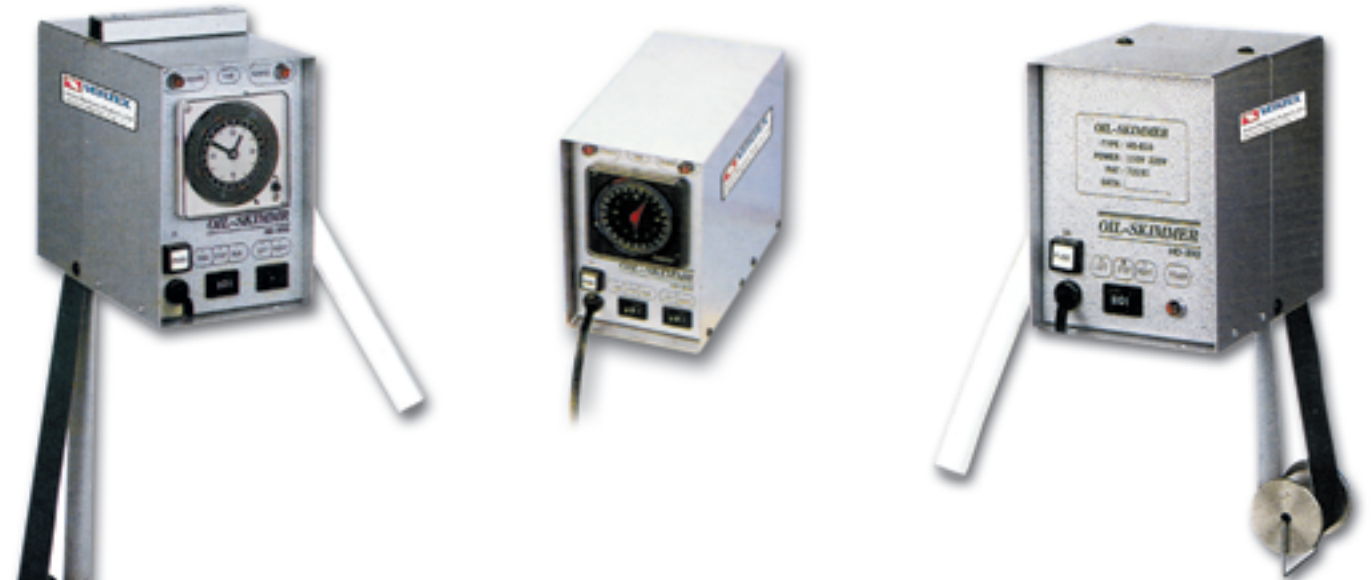


Oil Skimmer

OIL SKIMMER FOR MACHINE TOOL. IT IS FOR CLEAR FLOATING OIL ON CUTTING LIQUID.

ORDER NO. VOS-800

ORDER NO. VOS-810



FEATURES

- 1.Oily leather belt cycle for collecting oil and efficiently and completely getting rid of useless oil.
- 2.Much less cost of running., without any material expended.
- 3.Small volume., light weight., easy to install and to operate.
- 4.Special leather belt with feature of excellent durability, heat-resistance, and chemical-resistance.
- 5.VOS-800 attached a 24 hours procedure timer to run repeatedly in accordance with time proportion which it is set, and also provides the best efficiency of sucking floating oil.

Unit:mm

ORDER NO.	POWER SOURCE	CAPACITY	DIMENSION			WEIGHT	BELT DIMENSION		DIMENSION OF HOSE	CODE NO.
			L	B	H		B	L		
VOS-800	AC 110/220V	4L/h	190 m/m	102 m/m	153 m/m	3.5kg	39 X 800m/m		ø22 X 600m/m	2020-100
VOS-810			150 m/m	102 m/m	138 m/m		3.0kg	39 X 550m/m		2020-101