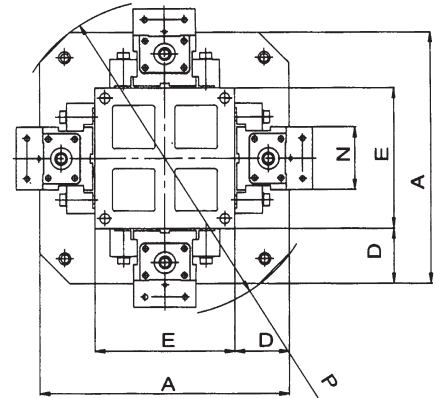
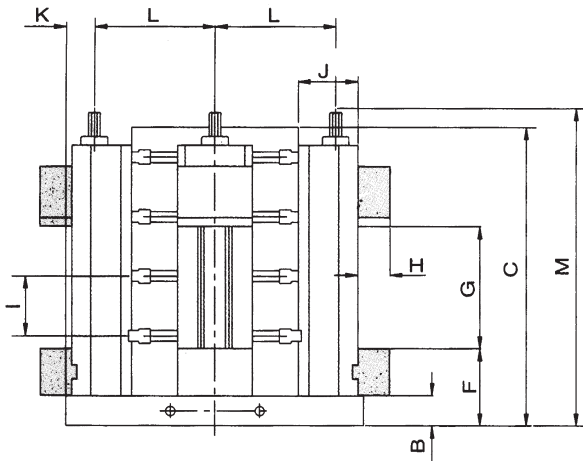


Jig Block



Unit:mm

| ORDER NO. | USE VIS | PALLET SIZE | A | B | C | D | E | F | G | H | I | J | K | L | M | N | P | T-slot | Weight | CODE NO. |
|-----------|---------|-------------|-----|----|-----|-----|-----|-----|-----|----|-----|-----|----|-------|-----|-----|-----|--------|--------|----------|
| VMC-4Q-4B | VMC-4Q | 400X400 | 400 | 50 | 500 | 110 | 240 | 124 | 128 | 44 | 100 | 85 | 27 | 173 | 449 | 101 | 524 | 4-4T | 127kgs | 4005-010 |
| | VMC-5Q | | 400 | 50 | 500 | 110 | 240 | 129 | 203 | 53 | 100 | 100 | 18 | 182.5 | 525 | 126 | 54 | 4-4T | 148kgs | 4005-011 |
| VMC-6Q-4B | VMC-4Q | 500X500 | 500 | 50 | 600 | 80 | 280 | 129 | 203 | 53 | 100 | 100 | 48 | 202.5 | 525 | 126 | 628 | 4-5T | 251kgs | 4005-012 |
| | VMC-5Q | | 500 | 50 | 600 | 80 | 280 | 137 | 275 | 55 | 100 | 115 | 42 | 208 | 656 | 161 | 653 | 4-5T | 267kgs | 4005-013 |

Usage Of "Jig Block" & Sub Table

