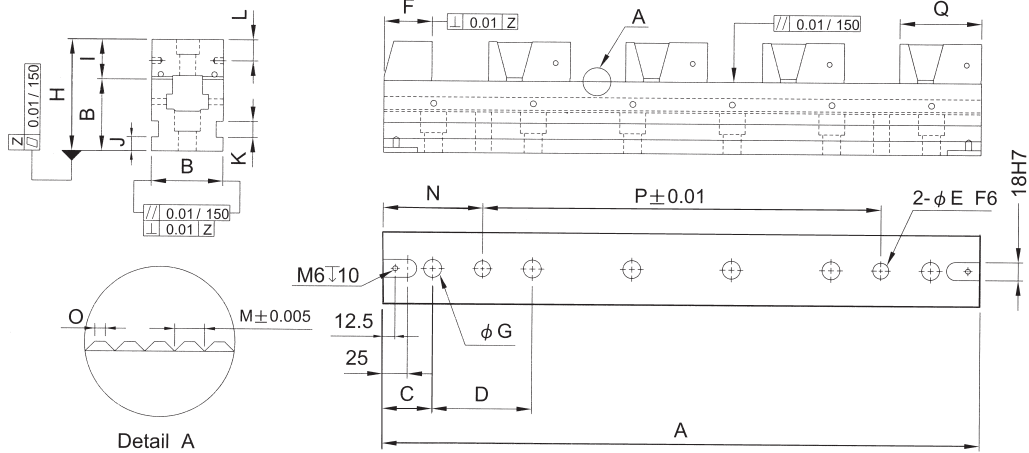




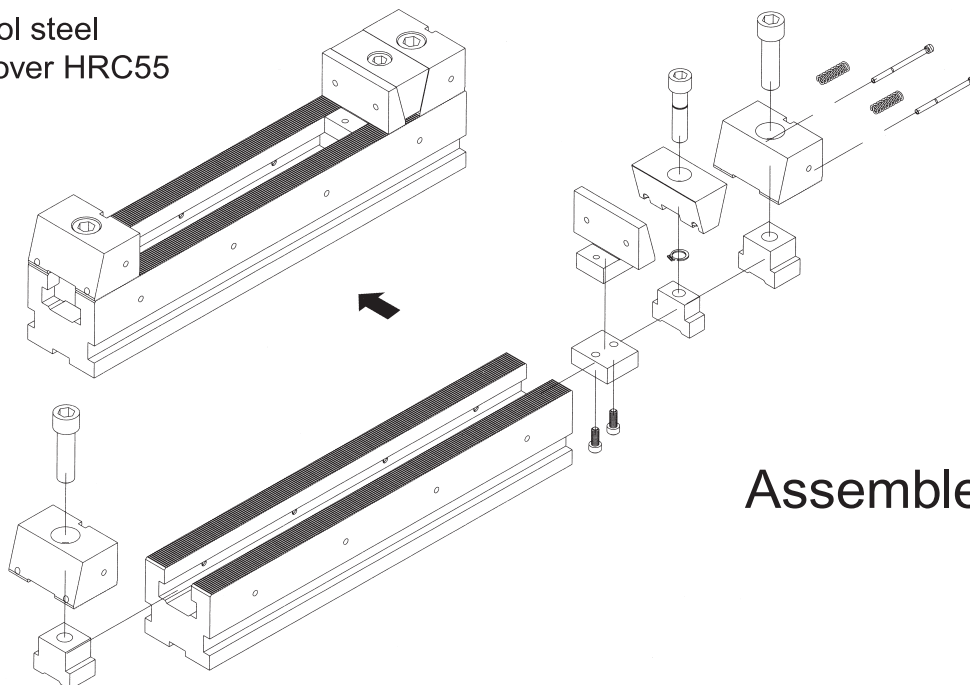
Flexible Line Up Vice



Order example

ORDER NO.	A	B±0.01	C	D	E	F	G	H	I	J	K	L	M	N	O	P	Q	KG	CODE NO.
VFS-5030	300	50	30	80	12	36	13	75	25	10	12	10	1.5	70	0.5	160	60	7	4007-050
VFS-5030G			50	100										100		4007-051			
VFS-5040	400	50	40	80	12	36	13	75	25	10	12	10	1.5	80	0.5	240	60	9	4007-052
VFS-5040G			50	100										200		4007-053			
VFS-5050	500	50	50	80	12	36	13	75	25	10	12	10	1.5	90	0.5	320	60	10	4007-054
VFS-5050G			100	300										4007-055					
VFS-5060	600	50	60	80	12	36	13	75	25	10	12	10	1.5	100	0.5	400	60	11	4007-056
VFS-5060G			50	100										400		4007-057			
VFS-5070	700	50	70	80	12	36	13	75	25	10	12	10	1.5	110	0.5	480	60	14	4007-058
VFS-5070G			50	100										500		4007-059			
VFS-7240	400	72	50	100	16	48	17	110	40	14	16	15	2.0	100	0.7	200	82	19	4007-060
VFS-7250	500	72	50	100	16	48	17	110	40	14	16	15	2.0	100	0.7	300	82	25	4007-061
VFS-7260	600	72	50	100	16	48	17	110	40	14	16	15	2.0	100	0.7	400	82	27	4007-062
VFS-7270	700	72	50	100	16	48	17	110	40	14	16	15	2.0	100	0.7	500	82	30	4007-063

Material: tool steel
Hardness: over HRC55



Assembled