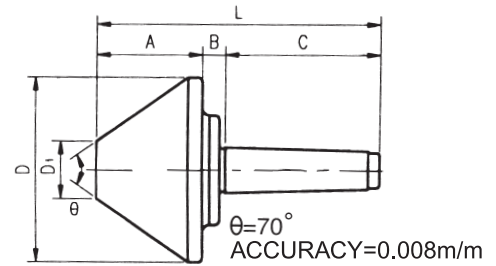




Bull Nose Center



HARDEN PROCESS : HRC50°
 CONCENTRICITY : 0.005mm
 ROUNDNESS : 0.005mm
 MATERIAL : STEEL



Unit:mm

Unit:mm

ORDER NO.	SIZE	A	C	D	D1	L	SPEED MAX RPM	RPM100 LOAD WEIGHT (KGS)	G.W. WEIGHT (KGS)	CODE NO.
VLC-433	MT3x3"	52	86	78	15	156	3300	400	1.30	5001-070
VLC-434	MT3x4"	59	86	106	25	161	3000	500	2.70	5001-071
VLC-443	MT4x3"	52	108	78	15	178	3300	400	1.45	5001-072
VLC-444	MT4x4"	59	108	106	25	183	3000	500	3.00	5001-073
VLC-445	MT4x5"	73	108	128	40	193	2000	650	4.80	5001-074

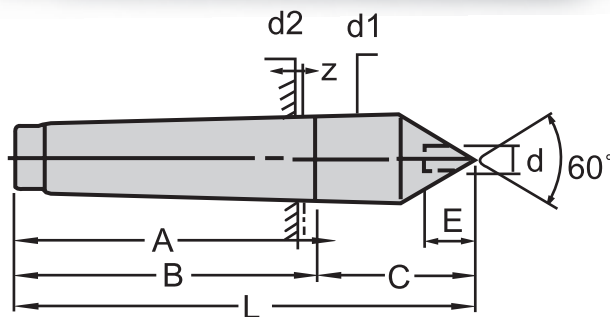
ORDER NO.	SIZE	A	C	D	D1	L	SPEED MAX RPM	RPM100 LOAD WEIGHT (KGS)	G.W. WEIGHT (KGS)	CODE NO.
VLC-446	MT4x6"	88	108	156	45	208	1900	800	7.60	5001-075
VLC-448	MT4x8"	98	108	206	81	218	1500	1300	17.0	5001-076
VLC-455	MT5x5"	73	136	128	40	221	2000	650	5.80	5001-077
VLC-456	MT5x6"	88	136	156	45	236	1900	800	8.50	5001-078
VLC-458	MT5x8"	98	136	206	81	246	1500	1600	18.00	5001-079



Lathe Centers



- Carbide tipped-HRC 70
- Hardened & precision ground.
- Concentricity within.0002"(0.005mm)



Unit:mm

ORDER NO.	SIZE	L	A	B	C	E	d2	d1	d	WEIGHT	CODE NO.
VLC-112	MT-2	100	69	67	31	8	17.780	18.0	6	0.13 kg	5001-090
VLC-113	MT-3	125	89	81	39	10	23.825	24.1	8	0.32 kg	5001-091
VLC-114	MT-4	155	109	102.5	46	14	31.267	31.6	10	0.7 kg	5001-092
VLC-115	MT-5	300	136	129.5	64	18	44.399	44.7	14	1.9 kg	5001-093
VLC-116	MT-6	270	190	182	80	30	63.648	63.8	18	5.6 kg	5001-094



Work-Driving Center



VDK-15



VDK-23



VDK-32

1. This Clamp-free center is comprised of excellent mechanical structure, nearly free of breakdown. main body & center shaft are made of sld material under heating treatment(HRC62°).
2. Driving is required for traditional lathe machining to prevent workpiece from stop. This clamp-free center with 6 T & 8T design on end surface is able to securely support work-piece surface to fulfill easy and rapid machining.

Unit:mm

ORDER NO.	Center Shaft size	Outer dia	Working Range	Weight	CODE NO.
VDK-15-MT4	6ø	16ø	16ø - 25ø	0.60 kg	5001-100
VDK-23-MT4	8ø	23ø	23ø - 32ø	0.65 kg	5001-101
VDK-32-MT4	8ø	32ø	32ø - 45ø	0.7 kg	5001-102