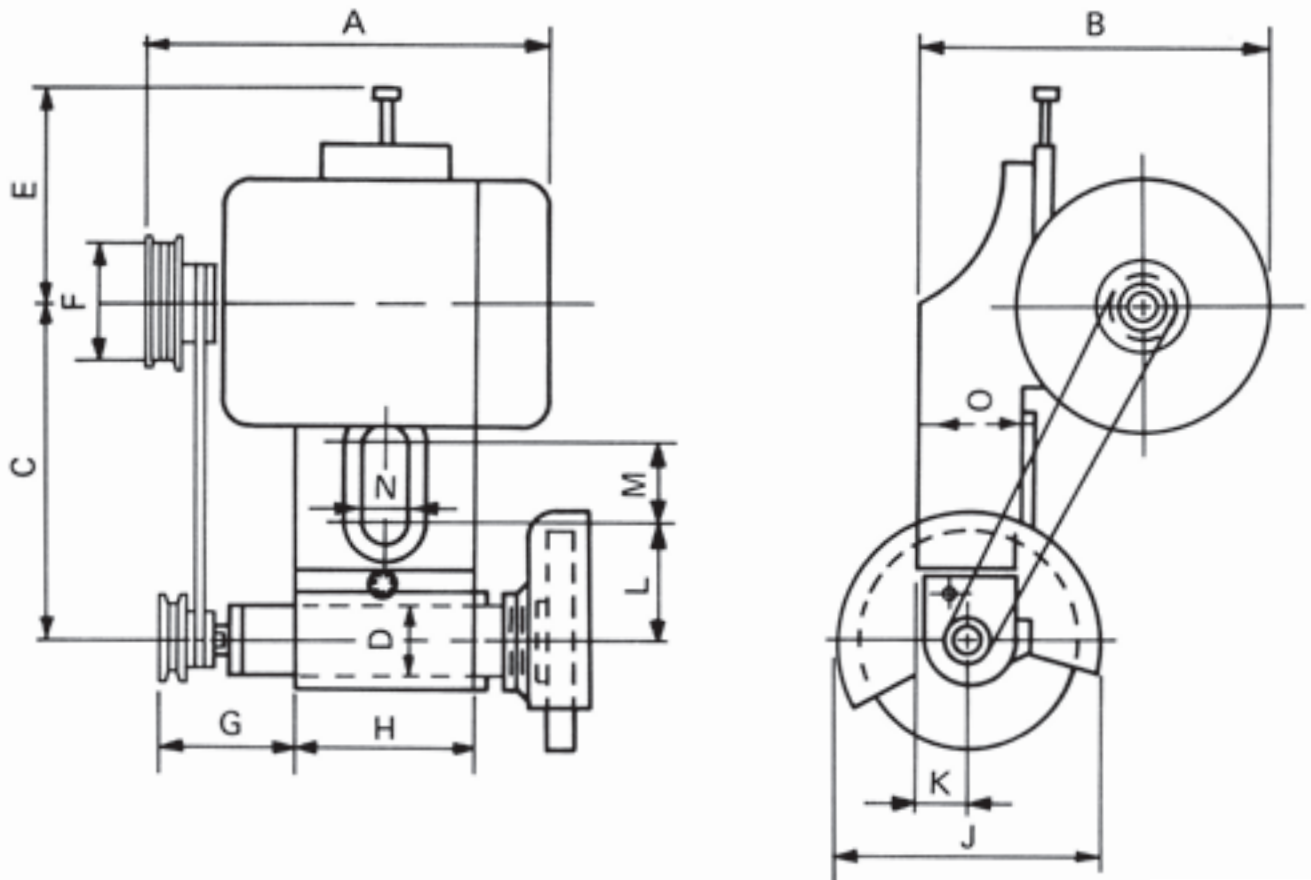




Tool Post Grinder ON Lathe



ORDER NO.	Main Dimension. (mm)														Net weight (kg)	Packing size (mm)
	A	B	C	D	E	F	G	H	J	K	L	M	N	O		
VGR-185	352	350	300-340	80	180	138	85	190	330	45-70	140	40	32	120	80	700x500x520
VGR-175	315	300	260-320	60	170	138	120	104	280	45-70	135	40	30	92	75	650x460x460
VGR-165	280	275	260-310	50	160	110	65	102	230	40-65	105	40	30	85	48	520x430x350
VGR-150	280	275	250-300	48	160	110	65	102	150	40-65	105	40	30	85	38	520x430x350
VGR-125	270	230	230-280	48	-	110	65	92	150	34-58	90	15	25	75	35	520x430x350
VGR-100	235	200	170	40	-	110	50	80	150	28	45	10	25	64	24	450x320x340

ORDER NO.	HP	External Spindle		Internal Spindle				Grinder on Lather (Length of Bed of Lather) Ft.	CODE NO.		
		Size of Wheel dia x width-hole	(R.P.M.) Non-load Speed	Diameter to be ground	Size of wheel dia x width-hole	(R.P.M.) Non-load Speed	Grinding Depth (mm)				
VGR-185	3	12"x1"x1"	60 cycle 1930	50 cycle 1600	-	-	-	-	over 12	5004-001	
VGR-175	2	10"x1"x1"	2300	1930	-	-	-	-	10-12	5004-002	
VGR-165	1	8"x3/4"x3/4"	3000 3700	2490 3070	25-50	1"x3/8"x1/4"	20000 13500	16800 11500	70	8-10	5004-003
VGR-150	1	5"x5/8"x5/8"	4500 6000	3750 5000	19-40	1"x3/8"x1/4"	20000 13500	16800 11500	70	6-8	5004-004
VGR-125	1/2	5"x5/8"x5/8"	4500 6000	3750 5000	19-40	1"x3/8"x1/4"	20000 13500	16800 11500	70	4-6	5004-005
VGR-100	1/4	5"x5/8"x5/8"	4500 6000	3750 5000	19-40	1"x3/8"x1/4"	20000 13500	16800 11500	50	under 4	5004-006