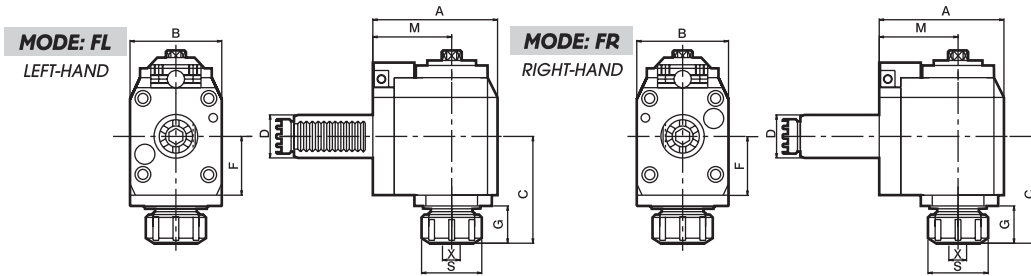




Radial Drilling And Milling Heads

TYPE SPUR COUPLING-IT



- External coolant supply
- To be used for collet DIN 6499
- Collet is not included.

DIMENSIONS

Order No.	D DIN 69880	X Capacity	S	Maximum R.P.M.	i	A	B	C	F	G	M	CODE NO.
FR30IT2565 FL30IT2565	30	1-16 ER25	42	5000	1:1	97	64	74.5	41	26	65	5006-154
FR30IT2585 FL30IT2585	30	1-16 ER25	42	5000	1:1	117	64	74.5	41	26	85	5006-155
FR40IT3265 FL40IT3265	40	2-20 ER32	50	5000	1:1	99	80	71	40	23	65	5006-156
FR40IT3285 FL40IT3285	40	2-20 ER32	50	5000	1:1	119	80	71	40	23	85	5006-157
FR40IT32100 FL40IT32100	40	2-20 ER32	50	5000	1:1	134	80	71	40	23	100	5006-158
FR50IT4075 FL50IT4075	50	3-26 ER40	60	5000	1:1	115	88	103	56	40	75	5006-159

Radial Tapping Heads

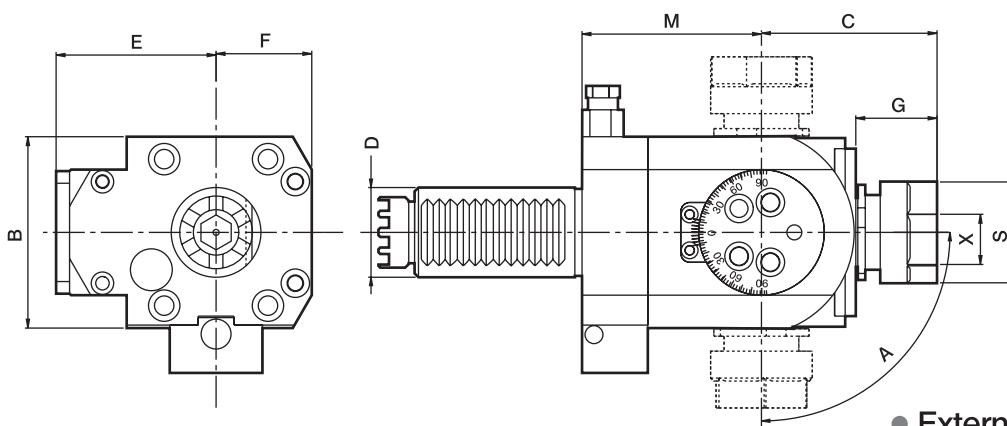
DIMENSIONS

Order No.	D DIN 69880	X Capacity	S	Maximum R.P.M.	i	A	B	C	F	G	M	CODE NO.
TFR30IT1665 TFL30IT1665	30	1-10 ER16	32	3000	1:1	97	64	75	41	30	65	5006-160
TFR30IT1685 TFL30IT1685	30	1-10 ER16	32	3000	1:1	117	64	75	41	30	85	5006-161
TFR40IT2065 TFL40IT2065	40	1-13 ER20	35	3000	1:1	99	80	70	40	25	65	5006-162
TFR40IT2085 TFL40IT2085	40	1-13 ER20	35	3000	1:1	119	80	70	40	25	85	5006-163
TFR50IT2575 TFL50IT2575	50	1-16 ER25	42	3000	1:1	115	88	103	56	42	75	5006-164



Angular Heads

TYPE SPUR COUPLING-IT



- External coolant supply
- To be used for collet DIN 6499
- Collet is not included.

DIMENSIONS

Order No.	D DIN 69880	X Capacity	Maximum R.P.M.	i	A	B	C	E	F	G	M	CODE NO.
DA30IT16B	30	1-10 ER16	4000	1:1	±90°	64	59	54	32	27	60	5006-165

Other shank dimensions under development