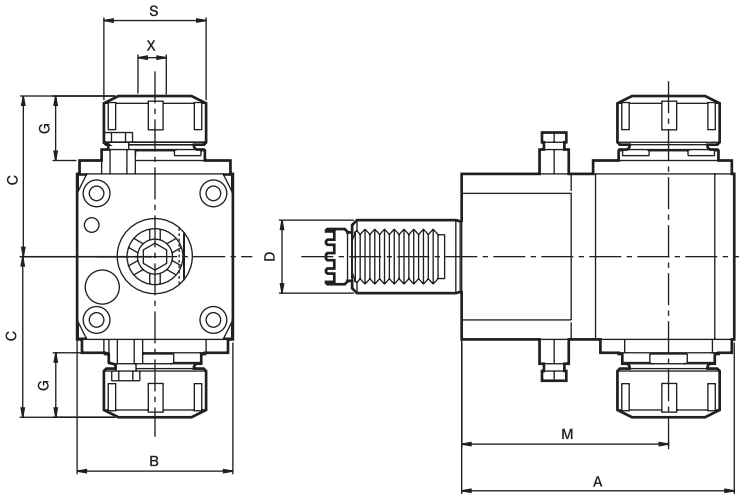




# Radial Drilling And Milling Heads

TYPE SPUR COUPLING-IT

DOUBLE COLLETS



- Collet is not included.
- External coolant supply
- To be used for collet DIN 6499

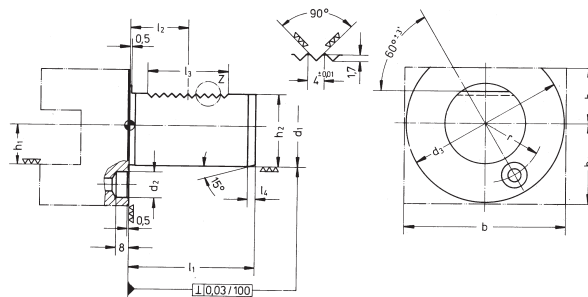
## DIMENSIONS

| Order No.    | D<br>DIN 69880 | X<br>Capacity | S  | Maximum<br>R.P.M. | i   | A   | B  | C  | G    | M   | CODE NO. |
|--------------|----------------|---------------|----|-------------------|-----|-----|----|----|------|-----|----------|
| DF30IT2585D  | 30             | 1-16<br>ER25  | 42 | 4000              | 1:1 | 112 | 64 | 66 | 26.5 | 85  | 5006-166 |
| DF40IT3285D  | 40             | 2-20<br>ER32  | 50 | 4000              | 1:1 | 119 | 80 | 82 | 28   | 85  | 5006-167 |
| DF40IT32100D | 40             | 2-20<br>ER32  | 50 | 4000              | 1:1 | 134 | 80 | 82 | 28   | 100 | 5006-168 |

Other shank dimensions under development



# VDI Dimensional Specification of Shank DIN 69880



## DIMENSIONS

| d1<br>h6 | l1<br>±0.3 | d2 | d3 | h1<br>max | h2<br>±0.1 | l2<br>±0.05 | l3<br>min | l4<br>+1 | r4<br>±0.02 | CODE NO. |          |
|----------|------------|----|----|-----------|------------|-------------|-----------|----------|-------------|----------|----------|
| 20       | 40         | 10 | H6 | 50        | 16         | 18          | 21.7      | 24       | 2           | 18       | 5006-169 |
| 30       | 55         | 14 | H9 | 68        | 20         | 27          | 29.7      | 40       | 2           | 25       | 5006-170 |
| 40       | 63         | 14 | H9 | 83        | 25         | 36          | 29.7      | 40       | 3           | 32       | 5006-171 |
| 50       | 78         | 16 | H9 | 98        | 32         | 45          | 35.7      | 48       | 3           | 37       | 5006-172 |
| 60       | 94         | 16 | H9 | 123       | 32         | 55          | 43.7      | 56       | 4           | 48       | 5006-173 |

