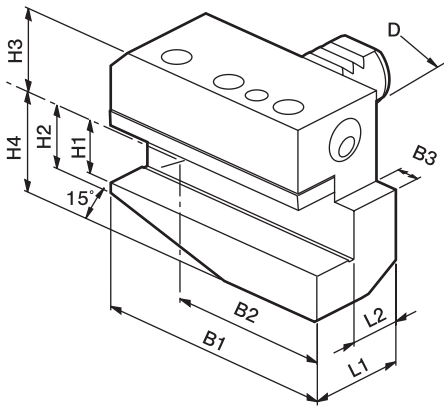




# DIN 69880 Radial Stacit Holders TYPE B5 B6

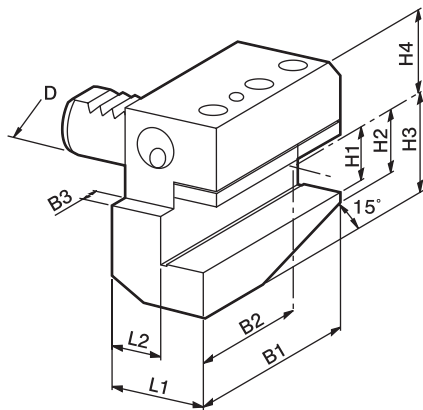


**B5**

- External Coolant Supply
- Right-hand
- Long

## DIMENSIONS

Order No.	D	B1	B2	B3	H1	H2	H3	H4	L1	L2	CODE NO.
B5-20x16	20	75	50	7	16	19	30	25	30	16	5006-200
B5-30x20	30	100	65	10	20	26	38	28	40	22	5006-201
B5-40x25	40	118	76	12.5	25	35	48	32.5	44	22	5006-202
B5-50x32	50	130	80	16	32	42	60	35	55	30	5006-203
B5-60x32	60	145	83	16	32	46	62.5	42.5	60	30	5006-204



**B6**

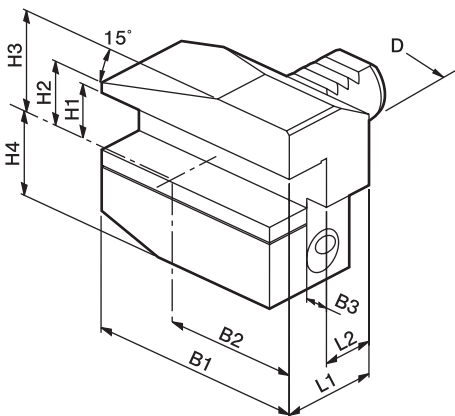
- Left-hand
- External Coolant Supply
- Long

## DIMENSIONS

Order No.	D	B1	B2	B3	H1	H2	H3	H4	L1	L2	CODE NO.
B6-20x16	20	75	50	7	16	19	30	25	30	16	5006-205
B6-30x20	30	100	65	10	20	26	38	28	40	22	5006-206
B6-40x25	40	118	76	12.5	25	35	48	32.5	44	22	5006-207
B6-50x32	50	130	80	16	32	42	60	35	55	30	5006-208
B6-60x32	60	145	83	16	32	46	62.5	42.5	60	30	5006-209



# DIN 69880 Radial Stacit Holders TYPE B7 B8

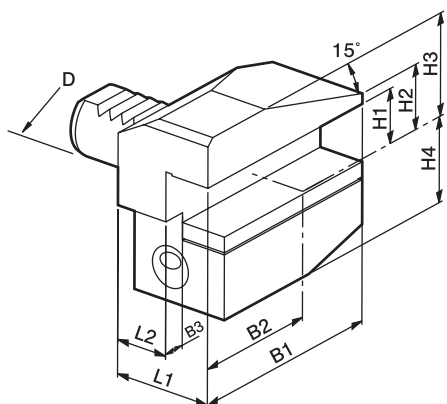


**B7**

- External Coolant Supply
- Right-hand
- Long

## DIMENSIONS

Order No.	D	B1	B2	B3	H1	H2	H3	H4	L1	L2	CODE NO.
B7-20x16	20	75	50	7	16	19	30	25	30	16	5006-210
B7-30x20	30	100	65	10	20	22	38	35	40	22	5006-211
B7-40x25	40	118	75.5	12.5	25	30	48	42.5	44	22	5006-212
B7-50x32	50	130	80	16	32	35	60	50	55	30	5006-213
B7-60x32	60	145	82.5	16	32	42.5	62.5	42.5	60	30	5006-214



**B8**

- Left-hand
- External Coolant Supply
- Long

## DIMENSIONS

Order No.	D	B1	B2	B3	H1	H2	H3	H4	L1	L2	CODE NO.
B8-20x16	20	75	50	7	16	19	30	25	30	16	5006-215
B8-30x20	30	100	65	10	20	22	38	35	40	22	5006-216
B8-40x25	40	118	75.5	12.5	25	30	48	42.5	44	22	5006-217
B8-50x32	50	130	80	16	32	35	60	50	55	30	5006-218
B8-60x32	60	145	82.5	16	32	42.5	62.5	42.5	60	30	5006-219