

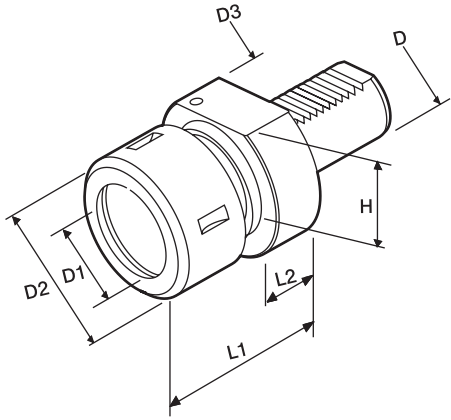


# DIN 69880 Stacit Holders

TYPE E3 E4

**E3**

- For Collet DIN 6388
- External Coolant Supply

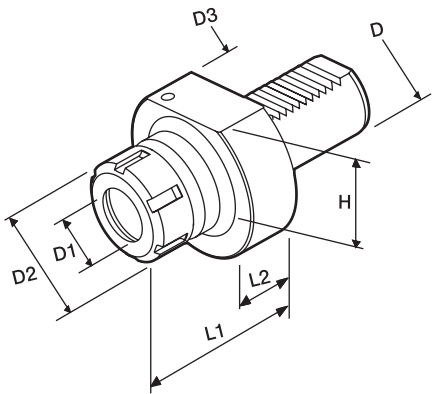


## DIMENSIONS

Order No.	D	D1	D2	D3	H	L1	L2	CODE NO.
E3-30-OZ25	30	2-25	60	68	28	75	22	5006-320
E3-40-OZ25	40	2-25	60	83	32.5	75	22	5006-321
E3-40-OZ32	40	4-32	78	83	32.5	90	22	5006-322
E3-50-OZ25	50	2-25	60	98	35	75	30	5006-323
E3-50-OZ32	50	4-32	78	98	35	90	30	5006-324

**E4**

- External Coolant Supply
- For Collet DIN 6499



## DIMENSIONS

Order No.	D	D1	D2	D3	H	L1	L2	CODE NO.
E4-20-ER25	20	1-16	42	50	-	50	18	5006-325
E4-30-ER25	30	1-16	42	68	28	53	22	5006-326
E4-30-ER32	30	2-20	50	68	28	57	22	5006-327
E4-40-ER32	40	2-20	50	83	32.5	62	22	5006-328
E4-40-ER40	40	3-26	63	83	32.5	75	22	5006-329
E4-50-ER40	50	3-26	63	98	35	75	30	5006-330
E4-60-ER40	60	3-26	63	123	42.5	75	30	5006-331
E4-60-ER50	60	10-34	78	123	42.5	75	30	5006-332

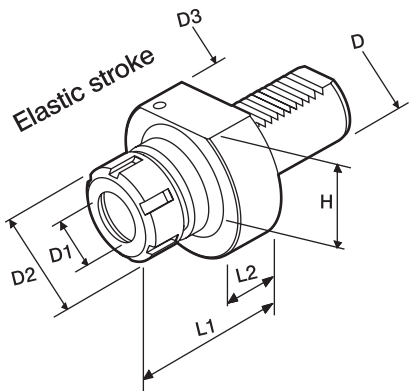


# DIN 69880 Stacit Holders

TYPE TAPPER, CHUCK

## TAPPER

- External Coolant Supply
- For Collet DIN 6499

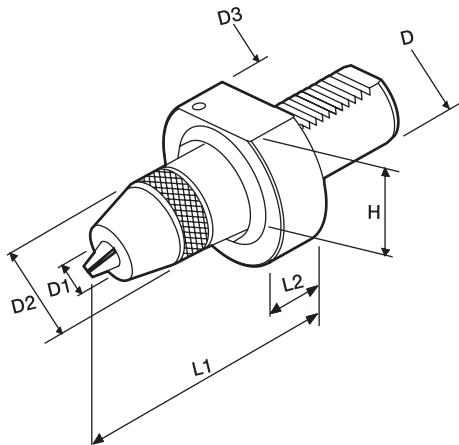


## DIMENSIONS

Order No.	D	D1	D2	D3	H	L1	L2	CODE NO.
TAP-20-ER20	20	1-13	34	50	-	60	18	5006-333
TAP-30-ER25	30	1-16	42	68	28	68	22	5006-334
TAP-40-ER25	40	1-16	42	83	32.5	73	22	5006-335
TAP-50-ER32	50	2-20	50	98	35	83	30	5006-336
TAP-60-ER32	60	2-20	50	123	42.5	85	30	5006-337

## KEYLESS DRILL CHUCK

- External Coolant Supply



## DIMENSIONS

Order No.	D	D1	D2	D3	H	L1	L2	CODE NO.
CHUCK-30-13	30	1-13	51	68	28	85	22	5006-338
CHUCK-40-13	40	1-13	51	83	32.5	85	22	5006-339
CHUCK-40-16	40	3-16	58	83	32.5	90	22	5006-340
CHUCK-50-13	50	1-13	51	98	35	85	30	5006-341
CHUCK-50-16	50	3-16	58	98	35	90	30	5006-342