



# Punch Grinder

**ORDER NO. V-PGS    CODE NO. 2002-001**

**MINI-TYPE  
PUNCH GRINDER Ø1.5-3mm**

This is a mini type punch grinder which can grind fine punch of outside diameter from 1.5mm to 3mm. N.W. 4kg

Accuracy of point A within 0.005m/m and point B Within 0.008m/m while turning.

**ORDER NO. V-PG    CODE NO. 2002-010**

**STANDARD-TYPE Ø3- Ø25    WEIGHT : 8 kg**

Punch grinder is a tool which can be put on the surface grinding machine for round punches (3mm-25mm). It can be ground by putting among three rollers of punch grinder. without checking the center. Accuracy of roller within 0.005mm while turning right or left. It can grind punches of outside diameter from 3Ø -25Ømm

Accuracy of point A within 0.005mm and point B within 0.008mm while turning.

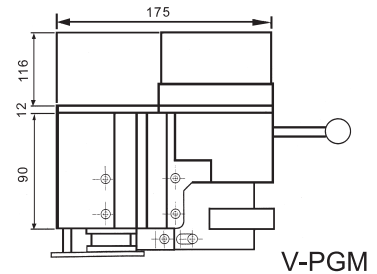
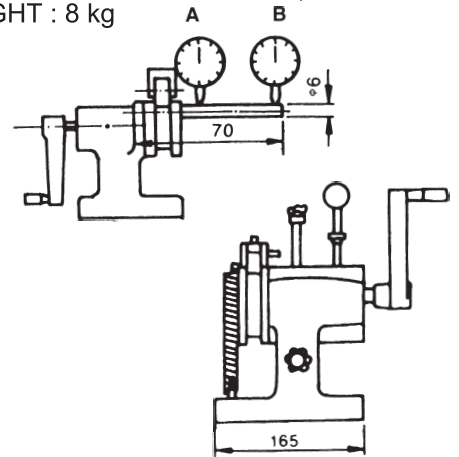
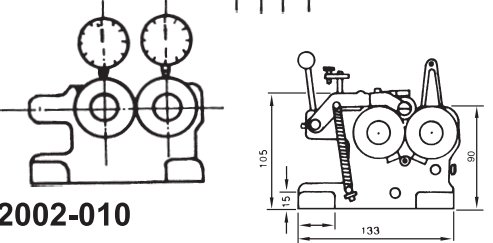
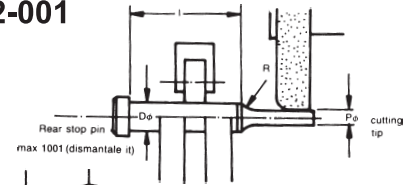
**ORDER NO. V-PGM    CODE NO. 2002-020**

**WITH MOTOR TYPE Ø3- Ø25**

**WEIGHT : 11.5 kg**

### Features

- 1.High accuracy cylindrical grinding work possible just by putting this economical unit on surface grinder.
- 2.No center alignment necessary. just put work on rollers.
- 3.Portable with single hand, thus easily set on grinding.
- 4.With rollers motor-driven attention can be concentrated on table/wheel feeds.
- 5.Work can be formed in radius taper, too
- 6.Double roller unit available for long pin or punch grinding.



### FEATURES

- Mounting surface (RLxFB) .....175x218x90mm
  - 50Hz .....108rpm
  - Roller speed 60Hz .....129rpm
  - Accuracy (Roundness and concentricity) .....25.4mm
  - Roller driving motor 110V, Single phase, 25W
- (Specifications are subject to change without notice.)



# Punch Grinder Deluxe Type

**ORDER NO. V-PGA    CODE NO. 2002-030**

**WEIGHT : 3.3 kg**

1.The small punch grinder can process from dia 0.5mm to 10mm. If the length of workpiece is above 10mm which can be grind.

This punch grinder can work with surface grinding machine and to grinding any sizes.

2.Easy operation and high precision make it to be the best grinding tool for small workpiexe.

