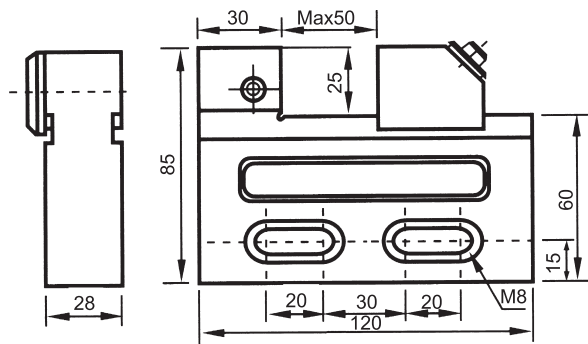




# EDW Tool Maker Vice (stainless)



This vise is for wire cutter use. Each of the parts was manufactured by stainless steel and with the appliance of high erosion resisting.

**Material: SUS440**  
**Hardness: HRC 58°-60°**  
**Squareness: With 0.005m/m**  
**N.W.: 1.4kg**

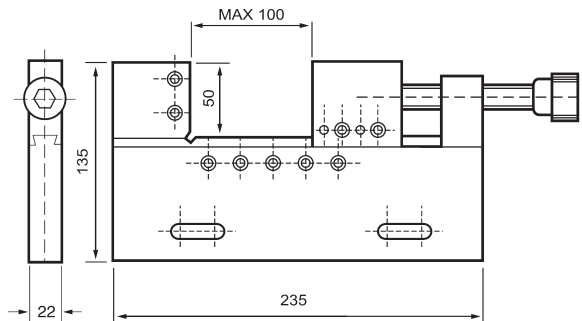
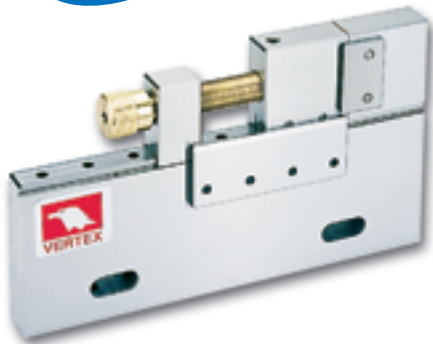
**ORDER NO. VSTV-50W**  
**CODE NO. 2008-040**

PARALLELISM	± 0.002mm
SQUARNESS	± 0.002mm

MAX. OPENING	50mm
THICKNESS	28mm
JAW DEEP	25mm
WEIGHT	1.4kg
MATERIAL	
HARDNESS	HRC58°



# EDW Tool Maker Vice (stainless)



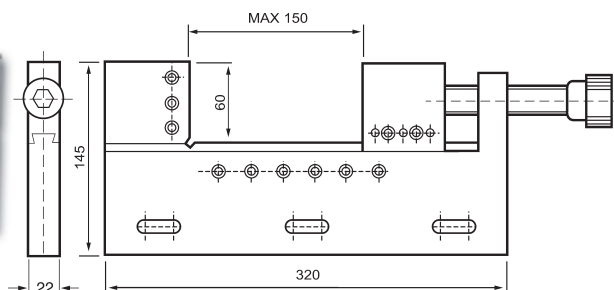
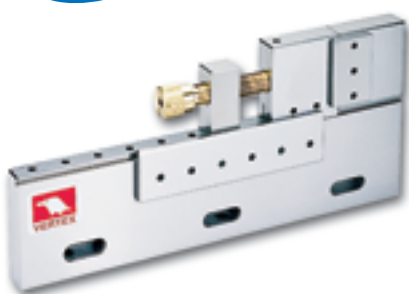
**ORDER NO. VSTV-100W**  
**CODE NO. 2008-050**

PARALLELISM	± 0.002mm
SQUARNESS	± 0.002mm

MAX. OPENING	100mm
THICKNESS	22mm
JAW DEEP	45mm
WEIGHT	4.4kg
MATERIAL	
HARDNESS	HRC58°



# EDW Tool Maker Vice (stainless)



**ORDER NO. VSTV-150W**  
**CODE NO. 2008-060**

PARALLELISIT	± 0.002mm
SQUARNESS	± 0.002mm

MAX. OPENING	150mm
THICKNESS	22mm
JAW DEEP	50mm
WEIGHT	6.0kg
MATERIAL	
HARDNESS	HRC58°