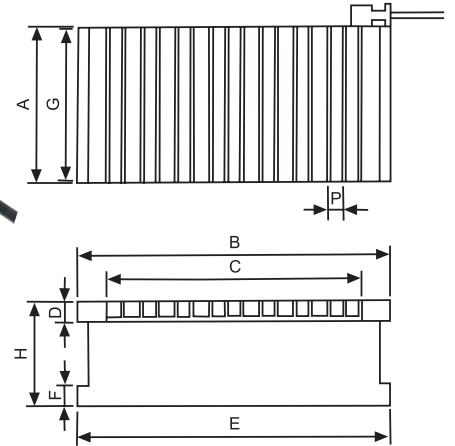




Standard Pole Electro magnetic Chuck



APPLICATION

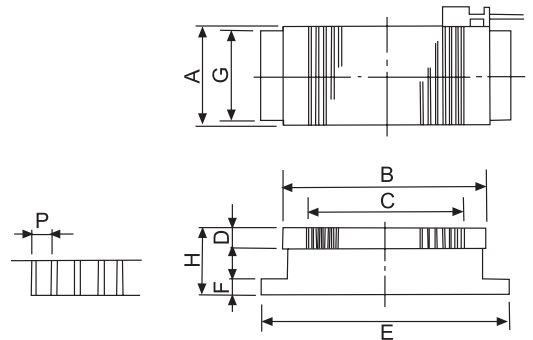
Most suitable for grinding operation, of standard electromagnetic chuck.

Unit:mm

ORDER NO.	DIMENSION	CHUCKING SIZE				POLE PITCH	CHUCK MOUNTING FACE					VOLTAGE	CURRENT	WEIGHT KG	CODE NO.
		A	B	C	D	P	G	E	F	H					
VEM-1530A	150X300	150	300	228	20	15(3+12)	144	316	20	70	DC90V	0.15A	21kg	2015-221	
VEM-1535A	150X350	150	350	288	20	15(3+12)	144	366	20	70	DC90V	0.18A	25kg	2015-222	
VEM-1545A	150X450	150	450	378	20	15(3+12)	144	466	20	70	DC90V	0.24A	32kg	2015-223	
VEM-2040A	200X400	200	400	348	20	15(3+12)	194	416	20	70	DC90V	0.47A	38kg	2015-224	
VEM-2045A	200X450	200	450	378	20	15(3+12)	194	466	20	70	DC90V	0.35A	43kg	2015-225	
VEM-2550A	250X500	250	500	438	20	15(3+12)	240	500	20	70	DC90V	0.73A	67kg	2015-226	
VEM-3060A	300X600	300	600	529	20	15(3+12)	290	600	20	70	DC90V	0.97A	97kg	2015-227	
VEM-4080A	400X800	400	800	725	25	19(3+16)	390	800	20	80	DC90V	1.56A	182kg	2015-228	
VEM-40100A	400X1000	400	1000	936	25	19(3+16)	390	1000	20	80	DC90V	1.60A	228kg	2015-229	
VEM-50100A	500X1000	500	1000	936	25	19(3+16)	490	1000	20	80	DC90V	1.72A	285kg	2015-230	



Micropitch Electric Magnetic Chuck



APPLICATION

Most suitable for grinding and cutting thin works the works should have length exceeding 40mm and be attracted in lengthy direction.

FEATURES

1. For small and thin works the micropitch permanent magnetic model VRTW is most useful.
2. Beside the grinding of thin works which meet the above condition the chuck is also efficient for cutting operation.

Unit:mm

ORDER NO.	DIMENSION	CHUCKING SIZE				POLE PITCH	CHUCK MOUNTING FACE					VOLTAGE	CURRENT	WEIGHT N.W.	CODE NO.
		A	B	C	D	P	G	E	F	H					
VEM-1530W	150X300	150	300	245	25	4(1+3)	146	300	20	100	DC-90V	0.83A	34kg	2015-231	
VEM-1535W	150X350	150	350	293	25	4(1+3)	146	350	20	100	DC-90V	0.69A	39kg	2015-232	
VEM-1545W	150X450	150	450	393	25	4(1+3)	146	450	20	100	DC-90V	0.66A	50kg	2015-233	
VEM-2040W	200X400	200	400	345	25	4(1+3)	196	400	20	100	DC-90V	0.80A	59kg	2015-234	
VEM-2045W	200X450	200	450	393	25	4(1+3)	196	450	20	100	DC-90V	0.70A	67kg	2015-235	
VEM-2050W	200X500	200	500	445	25	4(1+3)	196	500	20	100	DC-90V	0.70A	76kg	2015-236	
VEM-2060W	200X600	200	600	545	25	4(1+3)	196	600	20	100	DC-90V	0.64A	87kg	2015-237	
VEM-2550W	250X500	250	500	445	25	4(1+3)	246	500	20	100	DC-90V	0.97A	92kg	2015-238	
VEM-3060W	300X600	300	600	545	25	4(1+3)	246	600	20	100	DC-90V	1.43A	135kg	2015-239	