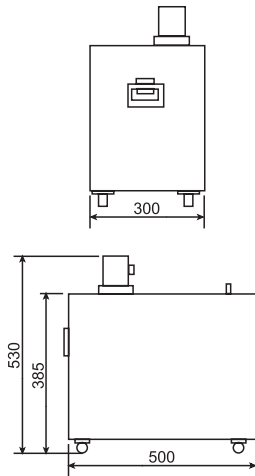




Coolant Tank

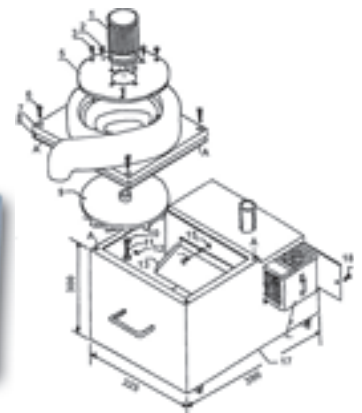


Dust Collector



Unit:m/m

ORDER NO.	L x W x H	G.W.	CODE NO.
VC-601	500 x 300 x 530	23kgs	2020-030



Unit:m/m

ORDER NO.	L x W x H	G.W.	CODE NO.
VC-602	560 x 370 x 720	47kgs	2020-026



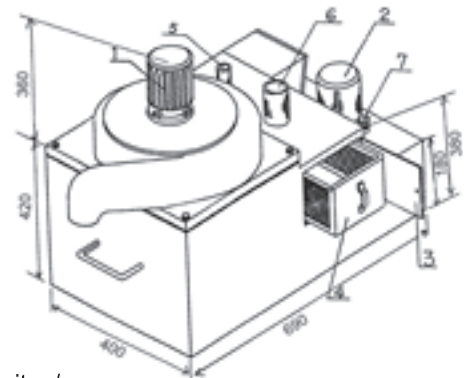
Dust-Suction And Coolant Tank (TWO IN ONE)

PLEASE NOTIFY VOLTA & PHASE, WHEN YOU ORDERING.



Combination coolant and dust collector(10-12 J)

- 1.Dust suction motor
- 2.Coolant pump
- 3.Filter access door
- 4.Filter
- 5.Coolant return pipe
- 6.Dust inlet pipe
- 7.Pump outlet



Unit:m/m

ORDER NO.	L x W x H	G.W.	CODE NO.
VC-603	690 x 400 x 780	80kgs	2020-027



Dust Suction & Coolant Tank W/Magnetic Separator (THREE IN ONE)

PLEASE NOTIFY VOLTA & PHASE, WHEN YOU ORDERING.



Unit:m/m

ORDER NO.	L x W x H	G.W.	CODE NO.
VC-606	900 x 780 x 850	110kgs	2020-028