

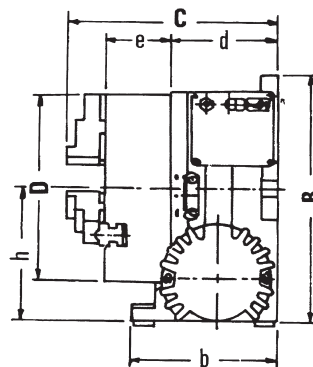
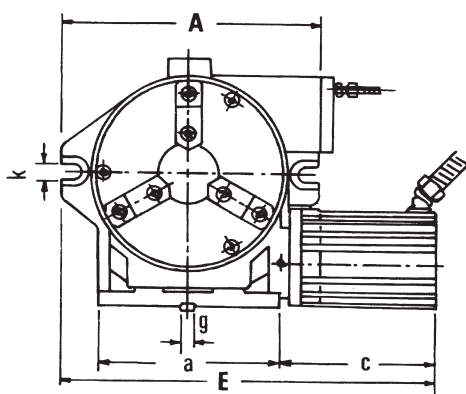


# Programmable Precision Indexer



1. Carefully designed, rigid construction to assure high and constant indexing accuracy.
2. The large thru-hole facilitates adapting chucks and tooling on the table in order to follow multiple applications (for example, long machining work, etc...)
3. Reasonability-Can be used in both Vertical and Horizontal position, and Air Clamping is completely self contained.
4. Automatic Circle Division-You can program a step that automatically divides a circle into any number of equal parts (between 2 and 999).
5. Programmability-Up to 99 different steps can be stored in memory, and each step can be looped 999 more times.
6. Versatility-Any angle from 1 minute to 540 degrees, can be programmed for each step.

7. Linear & Spiral Milling-For semi-fourth axis capability.
8. Fast Set-Ups-All connectors are "quick-disconnect," ensuring fast and easy setups.
9. Speed reduction ratio-1/90
10. Accuracy- $\pm 20''$
11. With stepping Motor, Electrical, AC 110V/220V  $\pm 10\%$ , 60HZ



## Order No. & Dimensions

Unit:mm

ORDER NO.	A	B	C	D	E	a	b	c	d	e	g	h	k	Inner jaw	Outer jaw	Diameter of Hole (chuck)	Diameter of Hole (turret)	Allowed Load (kg)		Weight kg	CODE NO.
																		Horizontal	Vertical		
VPX-6A	276	234	219	165	483	184	140	250	114	67	16	135	16	4~42	10~156	44	46	80	40	98	4004-001
VPX-8A	338	280	245	200	555	224	160	250	126	76	16	155	16	4~62	10~180	63	63.5	120	60	108.5	4004-002